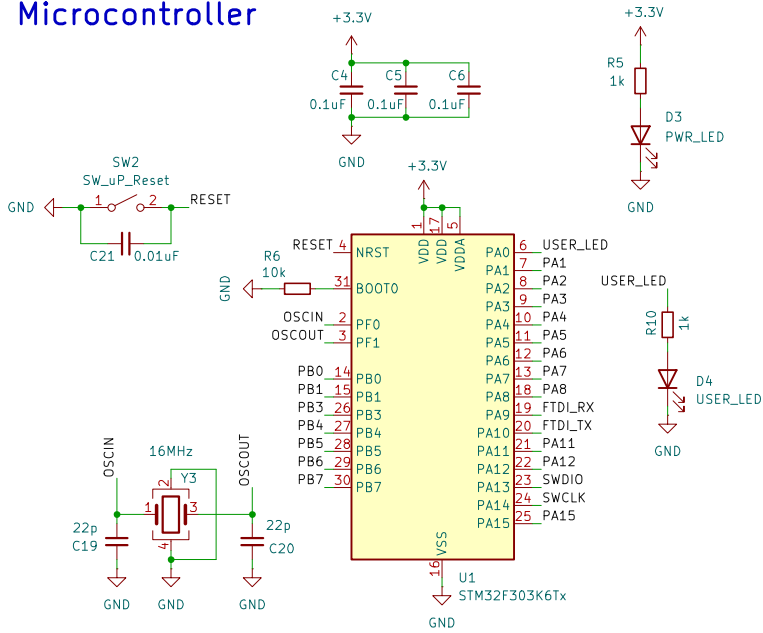
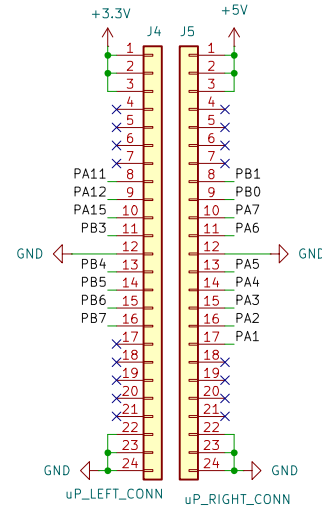


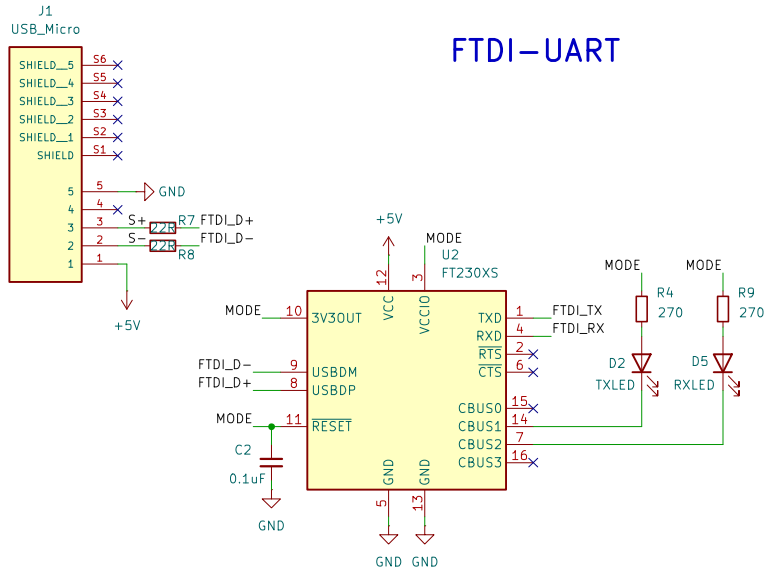
Microcontroller



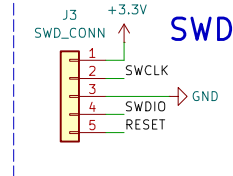
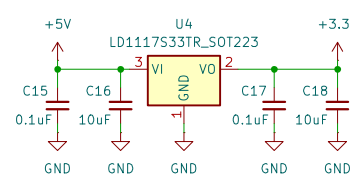
Pin Headers



FTDI-UART



Voltage Regulator



by Goncalo Martins

Sheet: /
File: 2024_11_STM32F303_DaisyShape_v1_3.kicad_sch

Title: STM32F303 Daisy Shape Board

Size: A4 Date: 2024-11-25

Rev: 1.2
Id: 1/1