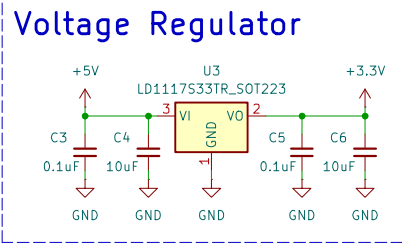
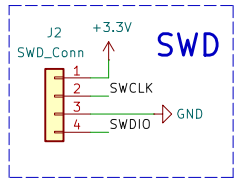


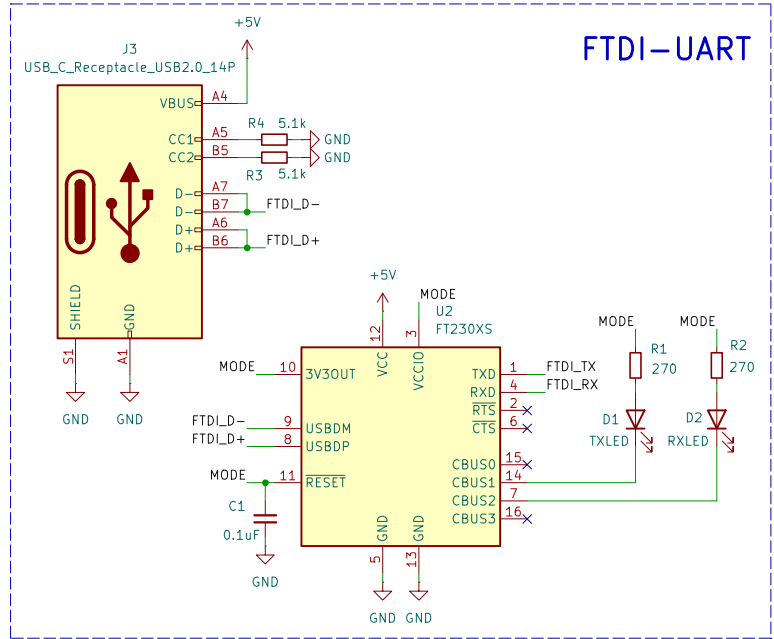
Microcontroller



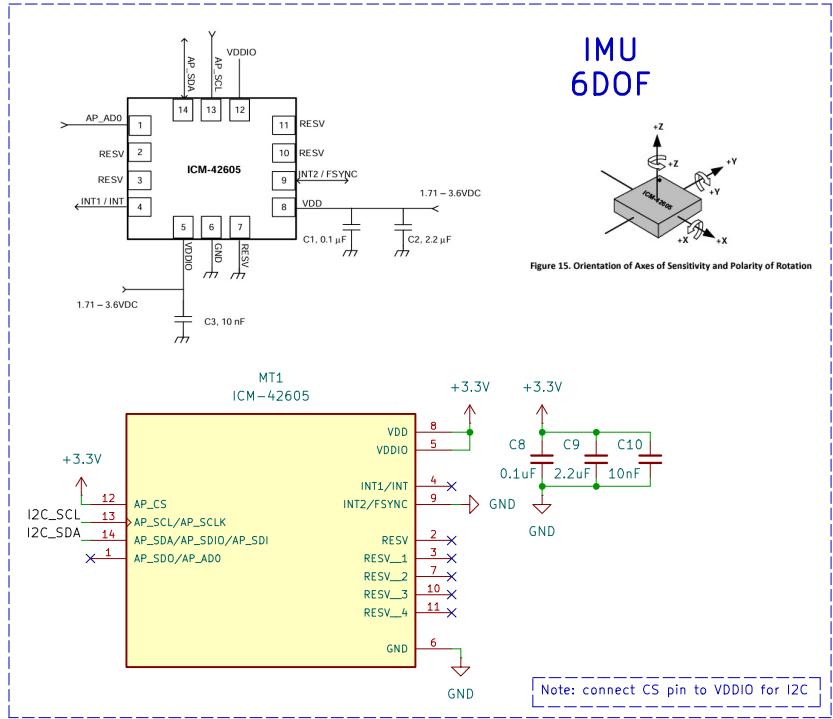
Voltage Regulator



SWD



FTDI-UART



IMU 6DOF

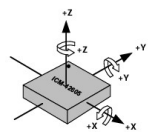


Figure 15. Orientation of Axes of Sensitivity and Polarity of Rotation

Sheet: /	
File: 2024_10_STM32C011J4M6_TestBoard.kicad_sch	
Title: STM32C011J4M6 Test Board	
Size: A4	Date: 2024-10-04
KiCad E.D.A. 8.0.5	Rev: 1.0
	Id: 1/1