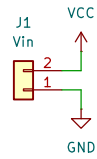
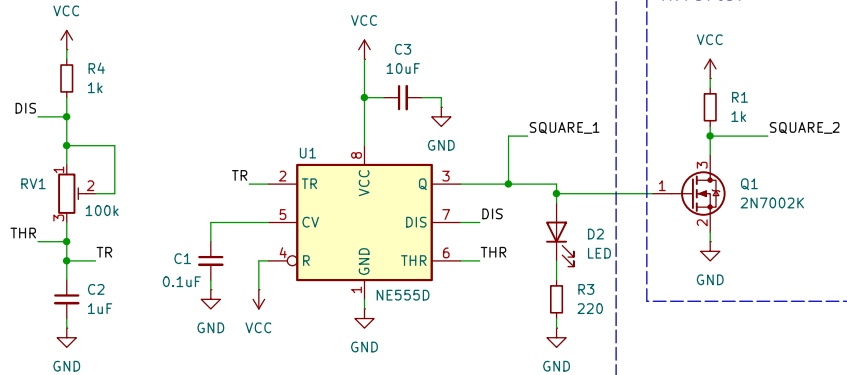


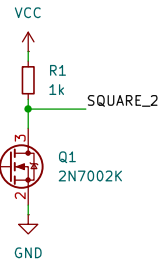
Power In



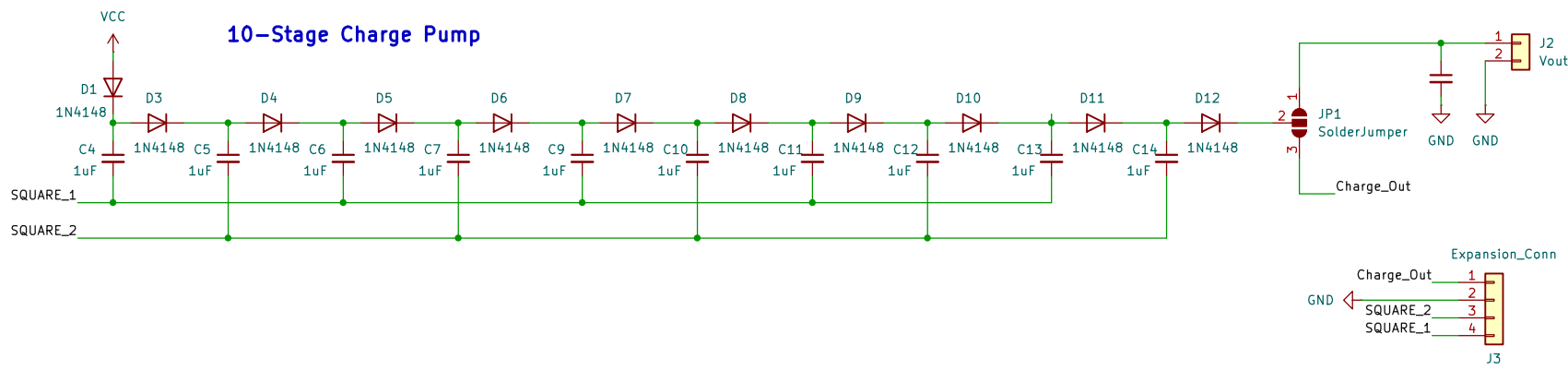
Oscillator Circuit



Inverter



10-Stage Charge Pump



EngrEDU

Sheet: /

File: 2024_NE555_ChargePump.kicad_sch

Title: NE555 Charge Pump

Size: A4

Date: 2024-06-27

Rev: 1.0

KiCad E.D.A. 8.0.2

Id: 1/1