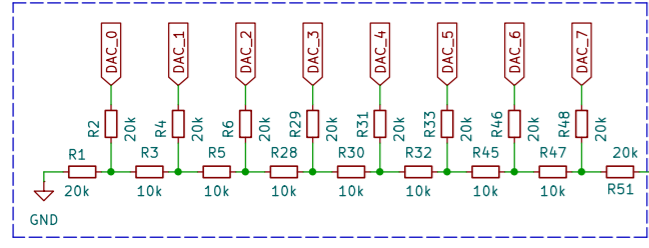
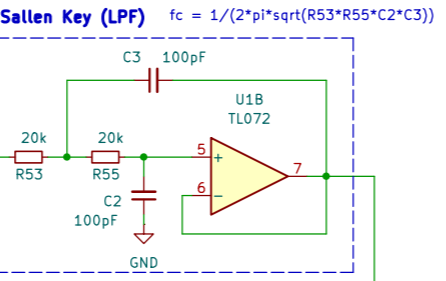


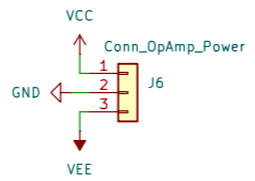
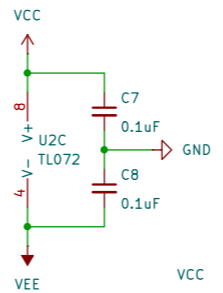
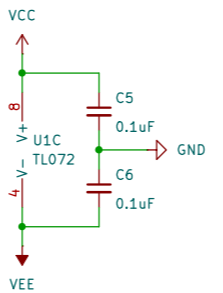
8bit DAC



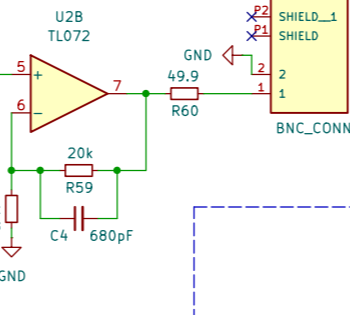
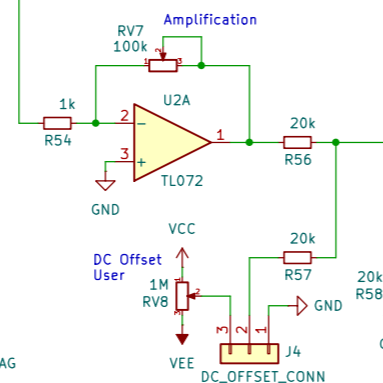
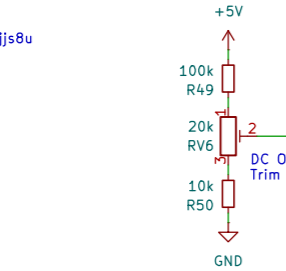
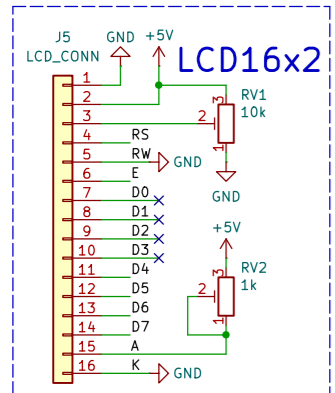
$$f_c = 1/(2 \cdot \pi \cdot R52 \cdot C1)$$



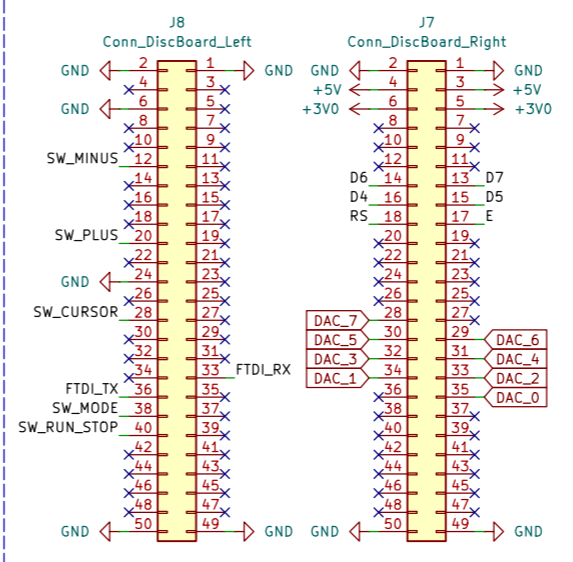
$$f_c = 1/(2 \cdot \pi \cdot \sqrt{R53 \cdot R55 \cdot C2 \cdot C3})$$



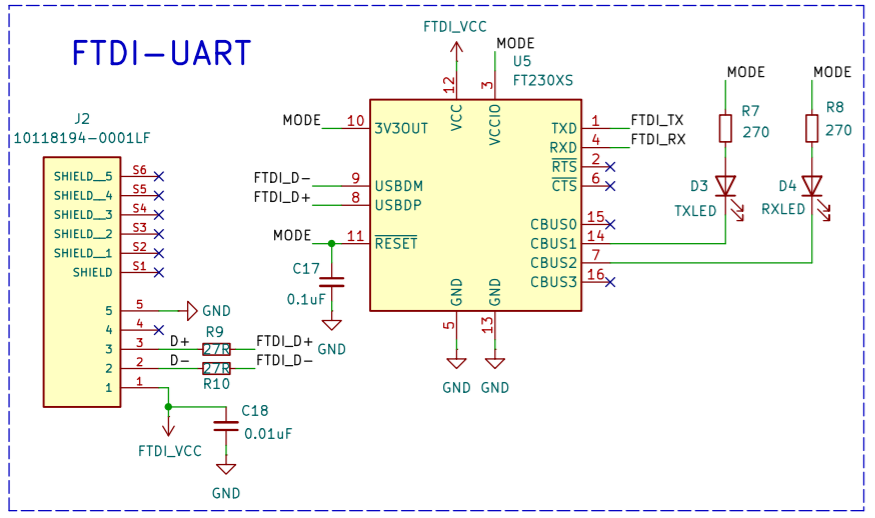
<https://tinyurl.com/26qjjs8u>



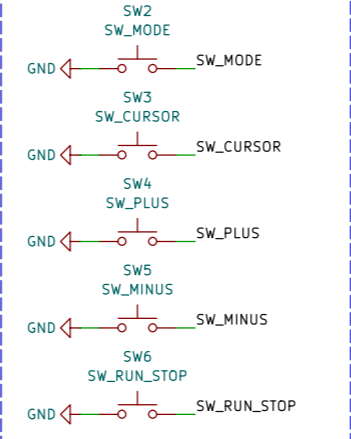
Microcontroller



FTDI-UART



BUTTONS



- Set internal Pull Up resistor on STM32F
- Debounce the button through software

EngrEDU

Sheet: /
File: 2024_Discovery_DDS_Shield.kicad_sch

Title: Function Generator

Size: A3 Date: 2024-05-30

Rev: 2.0
Id: 1/1