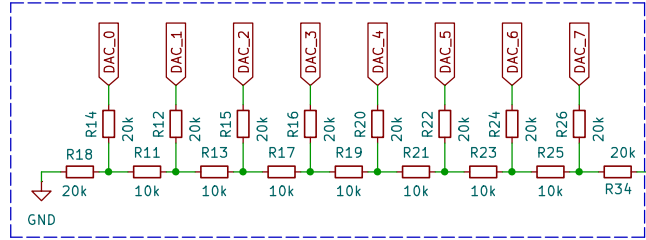


- H1 MountingHole
- H2 MountingHole
- H3 MountingHole
- H4 MountingHole

EngrEDU	
Sheet: /	
File: STM32F405_DDS_Generator.kicad_sch	
Title: Function Generator	
Size: A4	Date: 2024-05-30
KiCad E.D.A. 8.0.0	Rev: 2.0
	Id: 1/3

8bit DAC

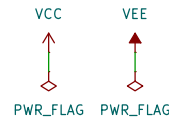
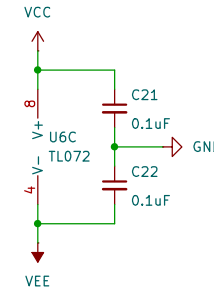
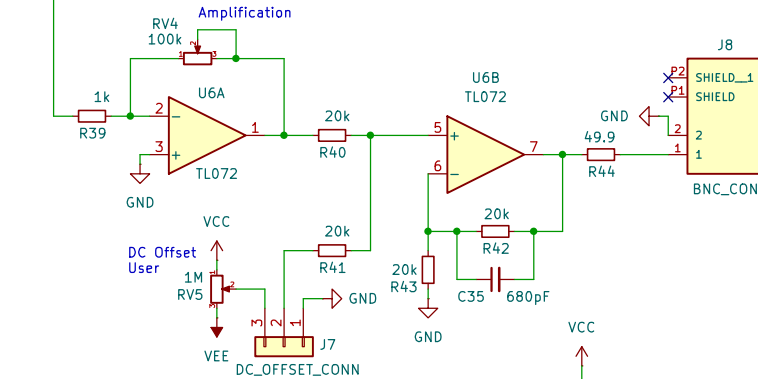
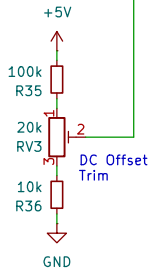
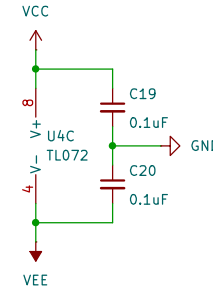
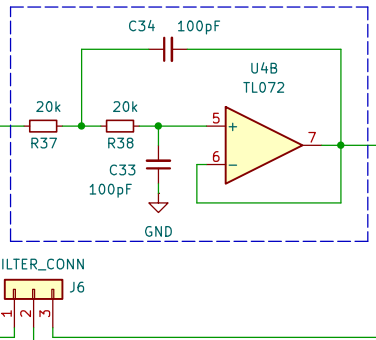


<https://tinyurl.com/26qjs8u>

$$f_c = 1/(2*\pi*R27*C32)$$

Sallen Key (LPF)

$$f_c = 1/(2*\pi*R37*R38*C33*C34)$$



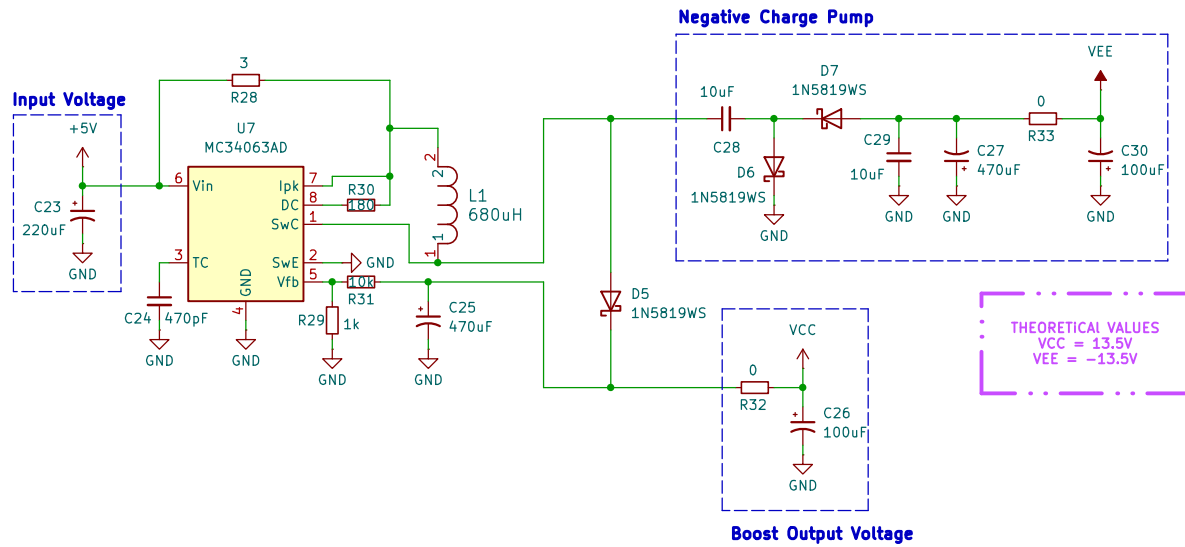
EngrEDU

Sheet: /DAC_Module/
File: dac_schematic.kicad_sch

Title: Analog Output

Size: A4 Date: 2024-04-07
KiCad E.D.A. 8.0.0

Rev: 1.0
Id: 2/3



Sheet: /Charge_Pump/
 File: charge_pump_schematic.kicad_sch

Title:

Size: A4
 KiCad E.D.A. 8.0.0

Date:

Rev:
 Id: 3/3